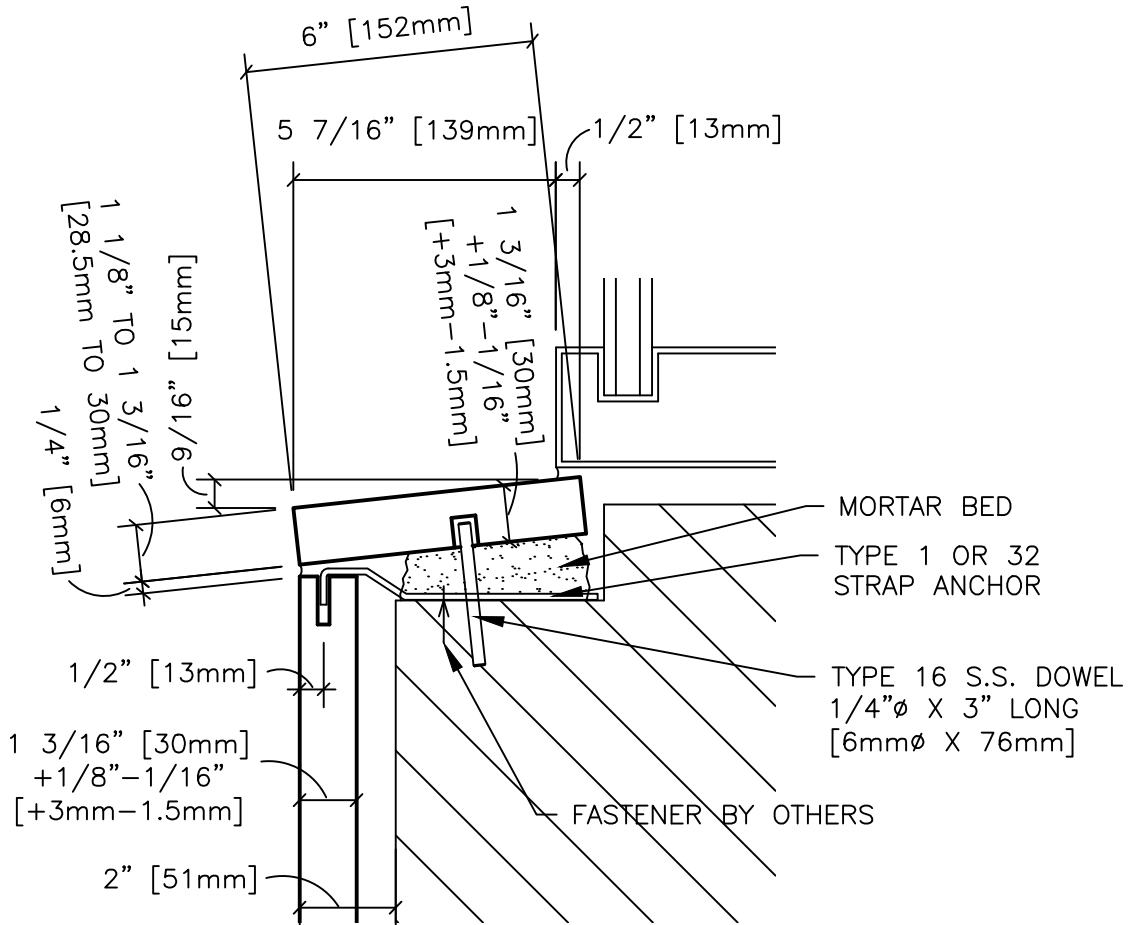


ANCHORING DETAILS ARE FOR REFERENCE ONLY. FINAL SPECIFICATIONS AND DETAILS SHOULD BE APPROVED BY A LICENSED ENGINEER.



MOST ECONOMICAL

WINDOW SILL DETAIL – CLADDED

DESCRIPTION:

WINDOW SILL DETAIL
 CLADDED

SCALE:

3" = 1'-0"

DRAWN BY:

LB/KM

DATE:

4-6-2020



COLDSPRING™

17482 GRANITE WEST ROAD, COLD SPRING, MN 56320-4578
 PHONE (320) 685-3621, FAX (320) 685-5052
 WWW.COLDSPRINGUSA.COM