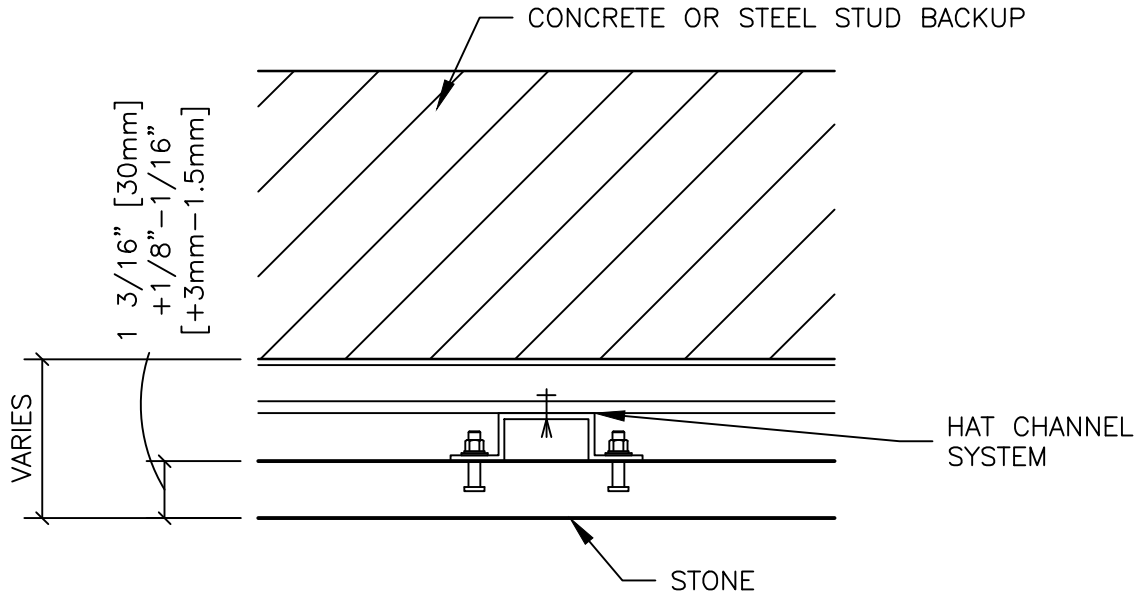
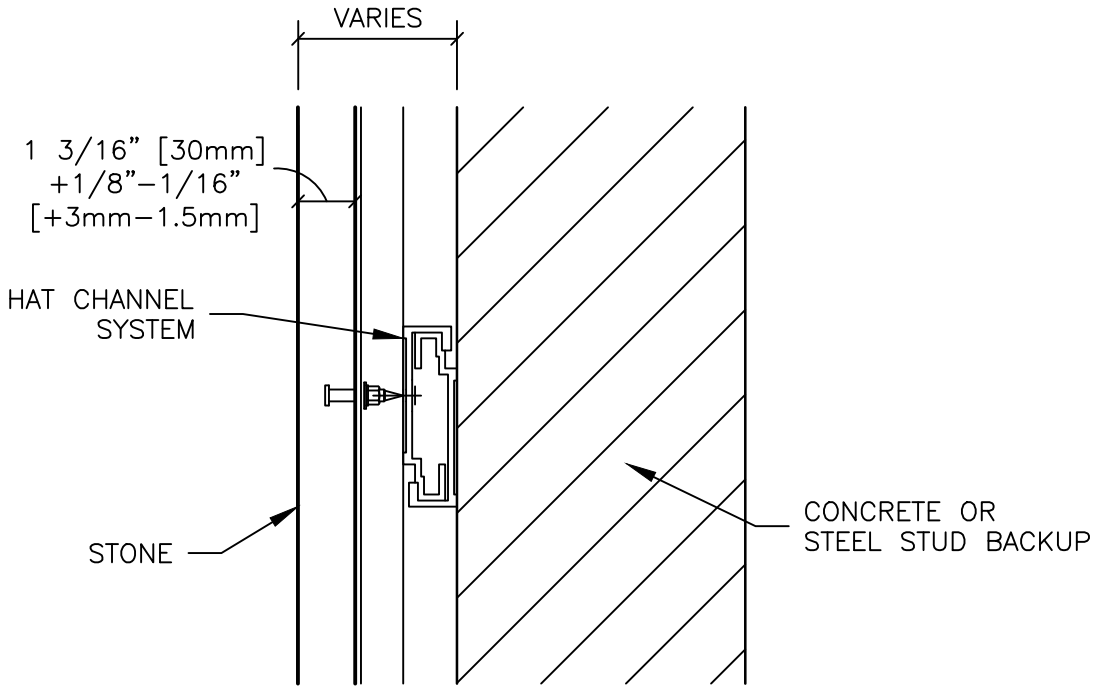


ANCHORING DETAILS ARE FOR REFERENCE ONLY. FINAL SPECIFICATIONS AND DETAILS SHOULD BE APPROVED BY A LICENSED ENGINEER.



HORIZONTAL SECTION



VERTICAL SECTION

DESCRIPTION:
**RAINSCREEN ANCHORING SYSTEM – STONE
 HAT CHANNEL**

SCALE:
 3" = 1'-0"

DRAWN BY:
 JV/KM

DATE:
 4-6-2020



COLDSPRING™
 17482 GRANITE WEST ROAD, COLD SPRING, MN 56320-4578
 PHONE (320) 685-3621, FAX (320) 685-5052
 WWW.COLDSPRINGUSA.COM