

NOTE:

3/8", 1/4", OR 3/16" DIAMETER
STAINLESS STEEL BOLT, NUT,
FLAT & LOCK WASHER. BOLT IS
INSERTED INTO ROUTED SLOT IN
BACK OF STONE.

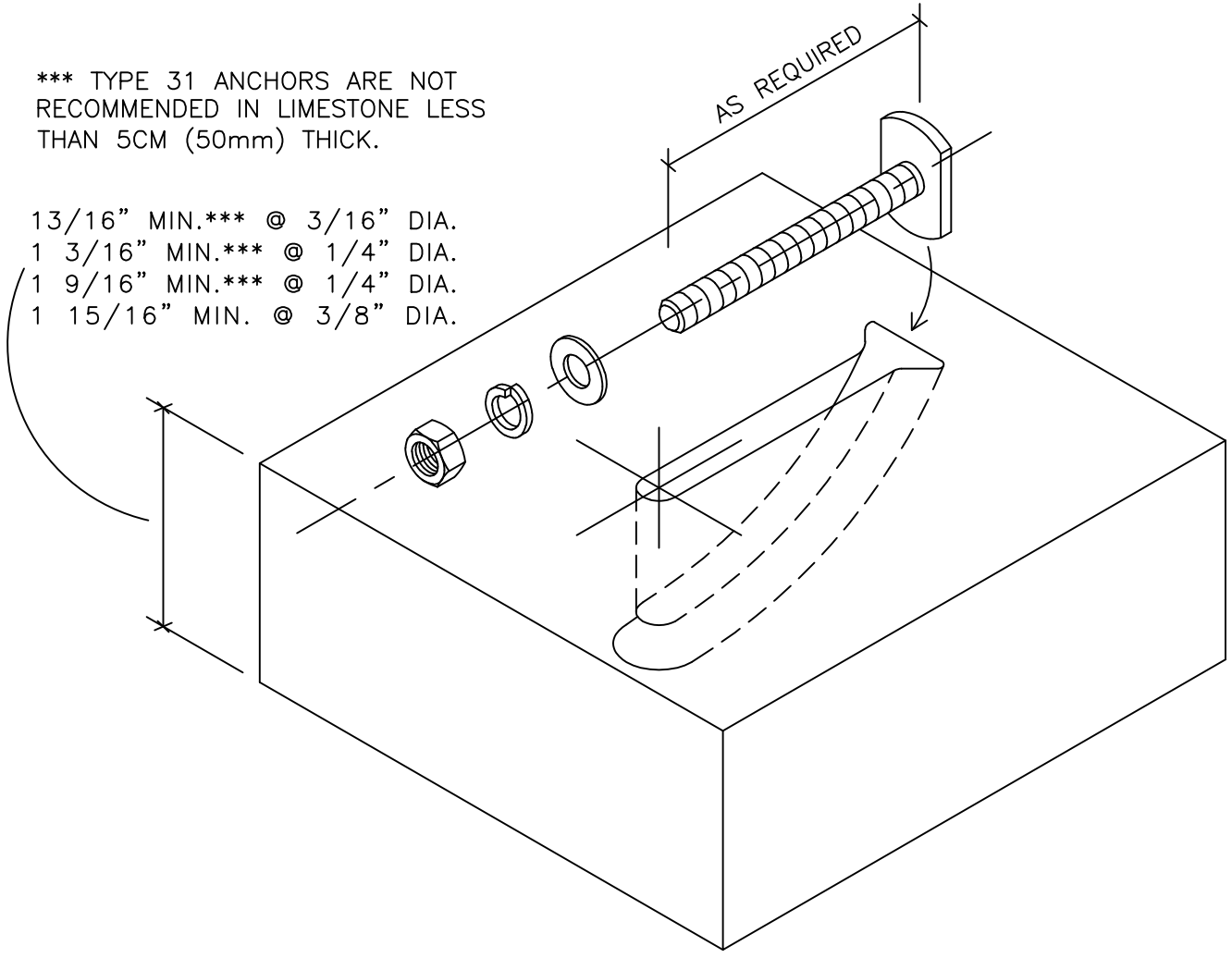
TYPE 31 TORQUE REQUIREMENTS:

3/16" DIA. = 35 TO 40 IN. LBS.
1/4" DIA. = 70 TO 80 IN. LBS.
3/8" DIA. = 200 TO 220 IN. LBS
1/2" DIA. = 400 IN. LBS

US PATENT NO. 4,020,610
CANADA PATENT NO. 1052122

*** TYPE 31 ANCHORS ARE NOT
RECOMMENDED IN LIMESTONE LESS
THAN 5CM (50mm) THICK.

- 1 3/16" MIN.*** @ 3/16" DIA.
- 1 3/16" MIN.*** @ 1/4" DIA.
- 1 9/16" MIN.*** @ 1/4" DIA.
- 1 15/16" MIN. @ 3/8" DIA.



TYPE 31 STAINLESS STEEL ANCHOR

DESCRIPTION:

TYPE 31 ANCHOR

SCALE:

FULL SIZE

DRAWN BY:

LB/KM

DATE:

4-2-2020



COLDSPRING™

17482 GRANITE WEST ROAD, COLD SPRING, MN 56320-4578
PHONE (320) 685-3621, FAX (320) 685-5052
WWW.COLDSPRINGUSA.COM