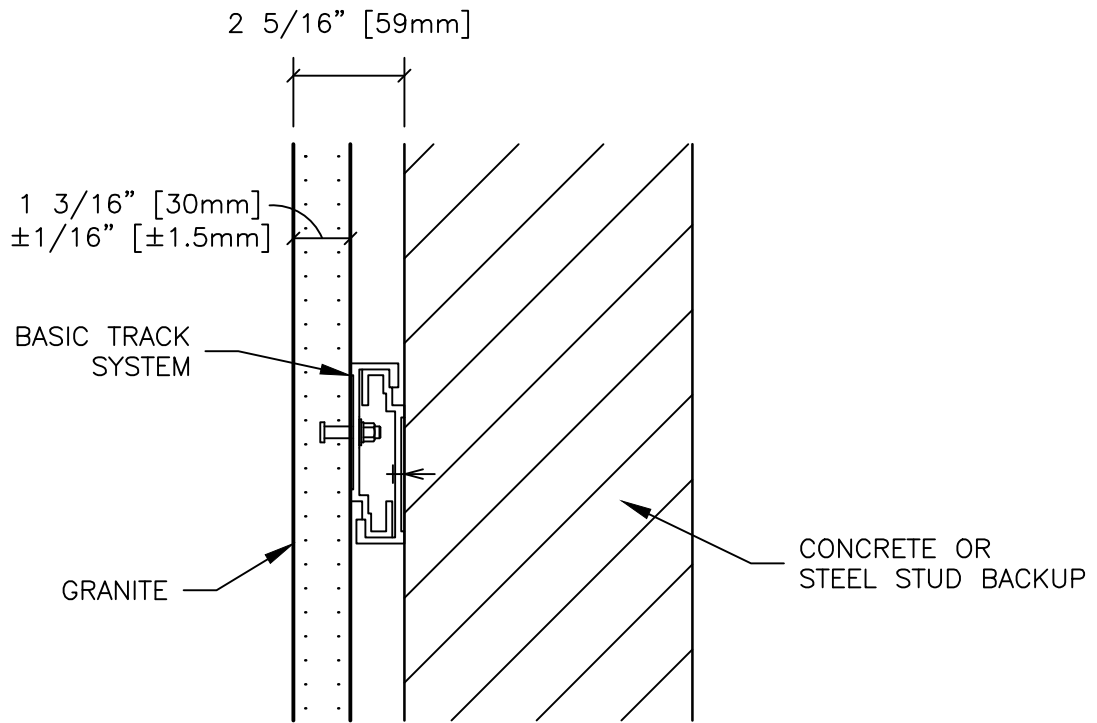


HORIZONTAL SECTION



VERTICAL SECTION

DESCRIPTION:
 RAINSCREEN ANCHORING SYSTEM - STONE
 BASIC TRACK

SCALE:
 3" = 1'-0"

DRAWN BY:
 JV

DATE:
 9-12-11

COLD SPRING GRANITE
A better way...

17482 GRANITE WEST ROAD, COLD SPRING, MN 56320-4578
 PHONE (320) 685-3621, FAX (320) 685-8490
 WWW.COLDSPRINGGRANITE.COM