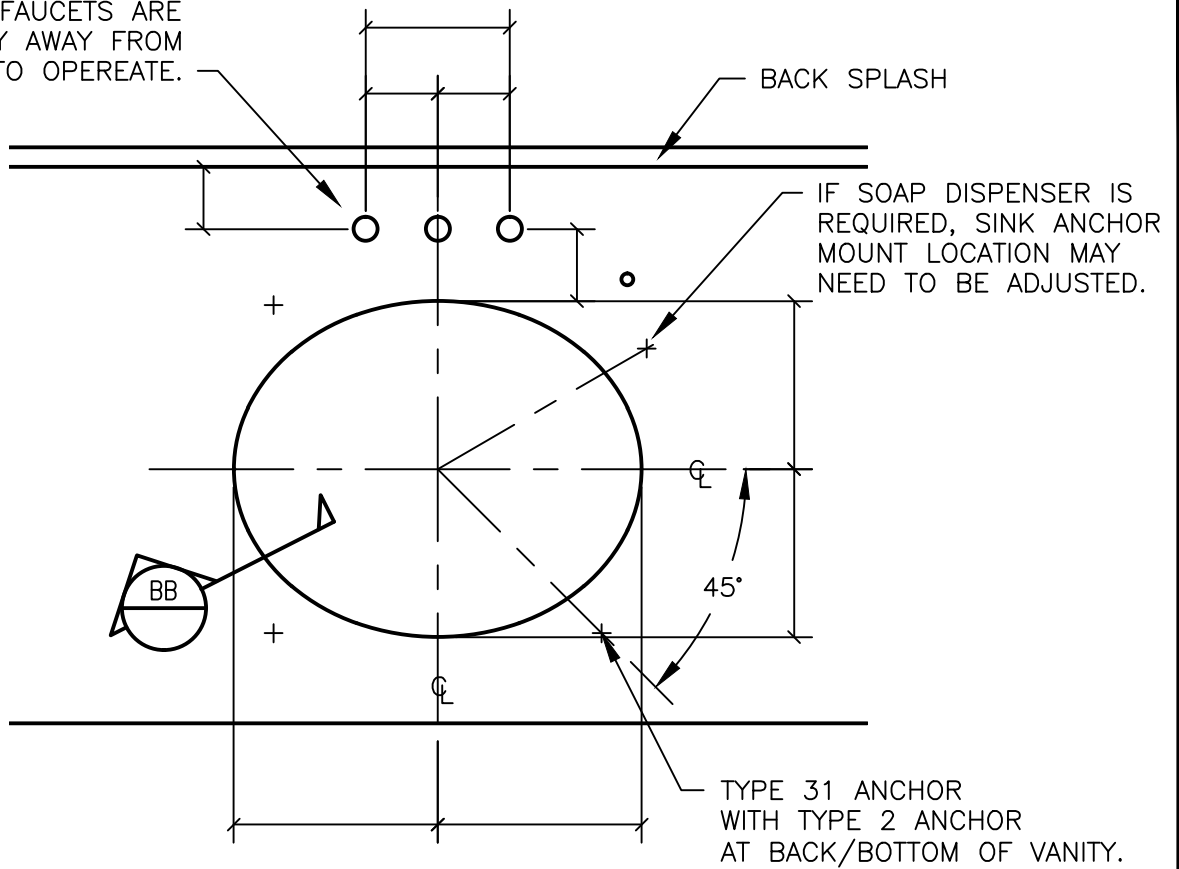
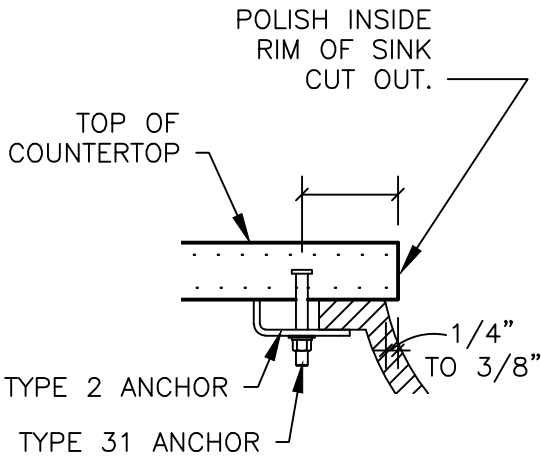


MAKE SURE FAUCETS ARE COMFORTABLY AWAY FROM BACK SPLASH TO OPERATE.



## UNDER MOUNT SINK PLAN



## SECTION BB

### CONSIDERATIONS:

FULL SIZE TEMPLATE FOR SINK BOWL CUT OUT  
 -PURCHASER TO SUPPLY FULL SIZE TEMPLATE  
 -IF UNAVAILABLE, PURCHASER TO SUPPLY ACTUAL SINK OR PROVIDE A MAKE AND MODEL NUMBER OF SINK TO BE USED. (VERIFY IF SINK IS TO BE RETURNED).

### SINK CUT OUT LOCATION

-CENTERLINES WILL BECOME THE WORK POINTS FOR LOCATING FAUCET HOLES, SOAP DISPENSER, LOTION DISPENSER, AND ANCHORS FOR INSTALLING UNDER MOUNT SINKS.

### FAUCET HOLES

-PURCHASER TO PROVIDE SIZE AND LOCATION OF FAUCET HOLES (CONSIDER SPACING BETWEEN HOLES)  
 -REVIEW LOCATION OF FAUCETS WITH SINK BOWL, BACK SPLASH AND POSSIBLE STRUCTURAL SUPPORT BELOW.  
 SOAP DISPENSER AND LOTION DISPENSER  
 -CHECK IF SOAP/LOTION DISPENSER HOLES ARE REQUIRED.  
 -IF SO, WHAT SIZE HOLE IS REQUIRED. WHERE IS HOLE LOCATED FROM CENTERLINES OF BOWL CUT OUT?

DESCRIPTION:

VANITY UNDER MOUNT SINK

SCALE:

1 1/2" = 1'-0"

DRAWN BY:

LB

DATE:

9-1-09

**COLD SPRING GRANITE**  
*A better way...*

17482 GRANITE WEST ROAD, COLD SPRING, MN 56320-4578  
 PHONE (320) 685-3621, FAX (320) 685-8490  
 WWW.COLDSPRINGGRANITE.COM