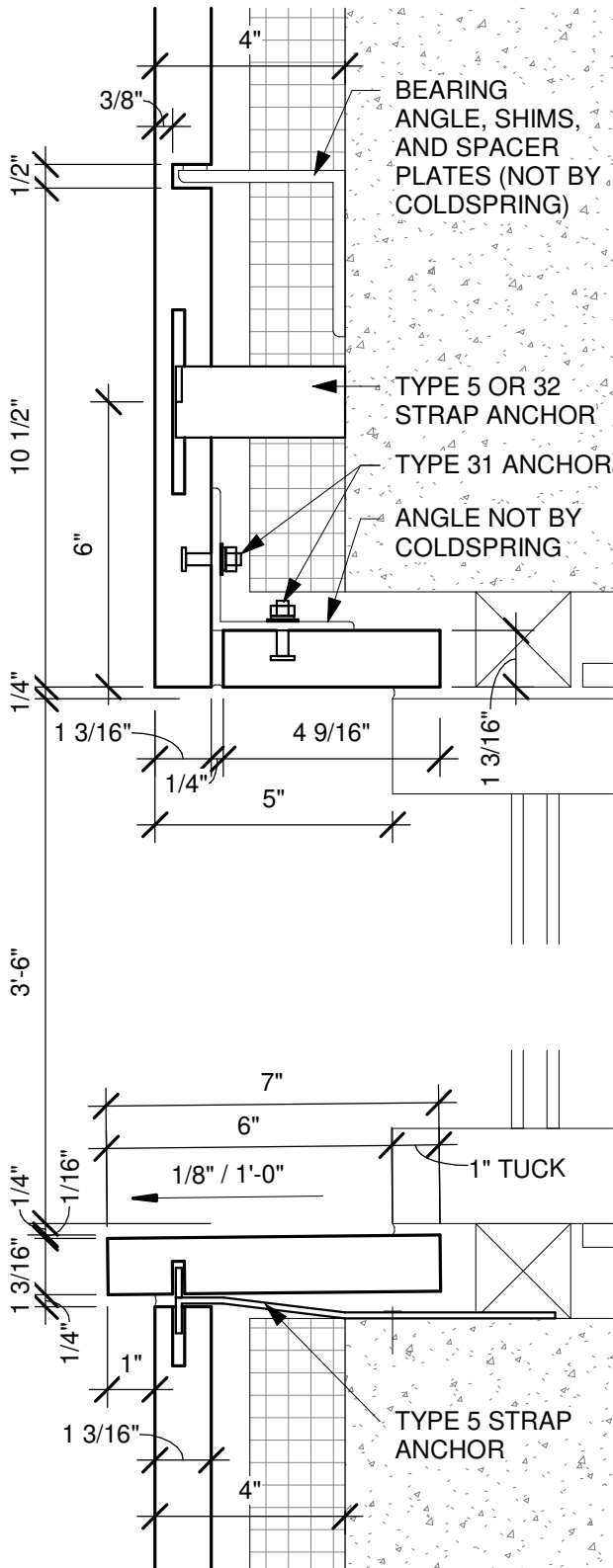
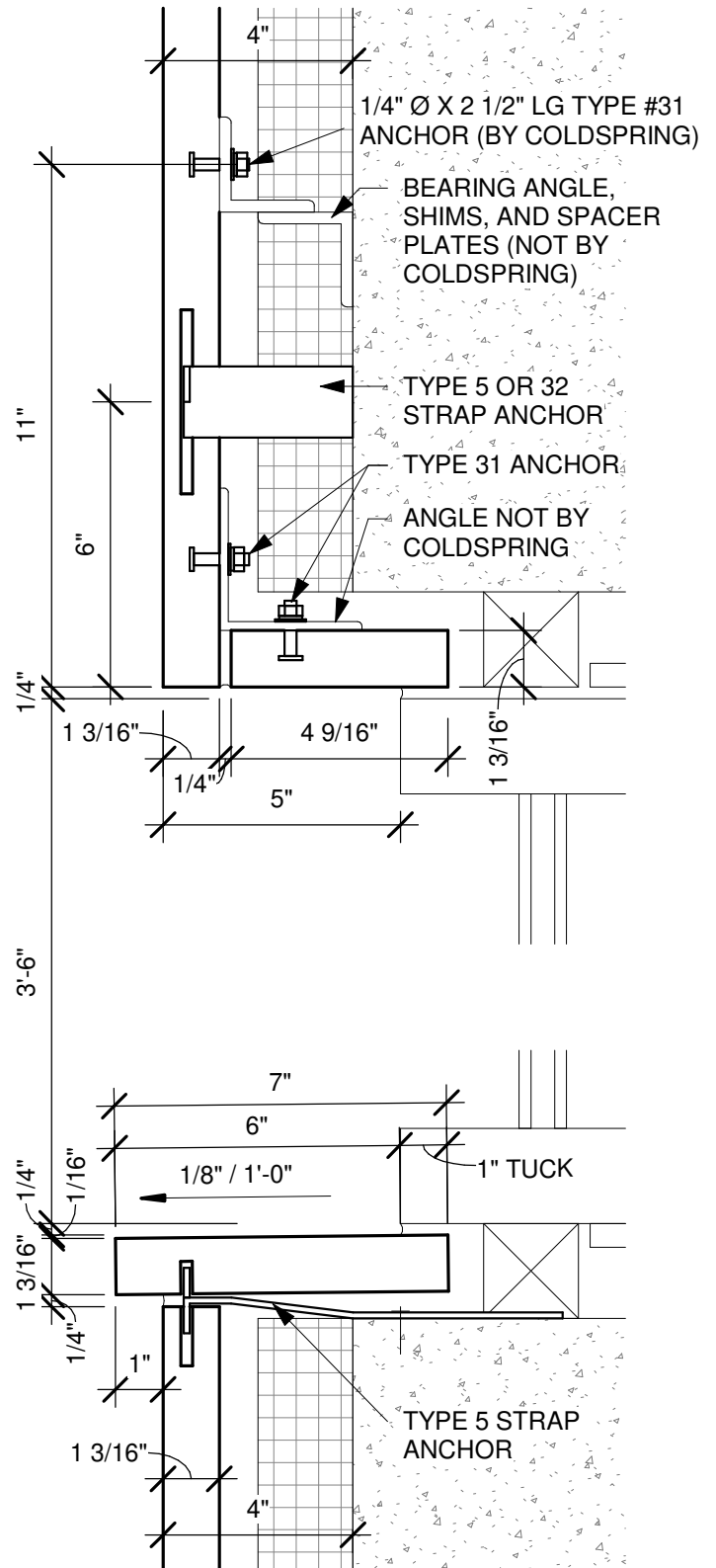


ANCHORING DETAILS ARE FOR REFERENCE ONLY. FINAL SPECIFICATIONS AND DETAILS SHOULD BE APPROVED BY A LICENSED ENGINEER.



6C WINDOW SECTION - BEARING CHECK
SCALE: 3" = 1'-0"



6 WINDOW SECTION - TYPE #31 BEARING
SCALE: 3" = 1'-0"

PROJECT:
EXAMPLE DETAILS

DESCRIPTION:
EXAMPLE EXTERIOR WALL - (30mm)
WINDOW SECTION

SHEET #:
1.6

JOB #:
0000000

DRAWN BY:
DM

DATE:
4/10/2024



COLDSRING™

17482 GRANITE WEST RD. COLD SPRING, MN
PHONE (320) 685-3621, FAX (320) 685-5052
WWW.COLDSRINGUSA.COM