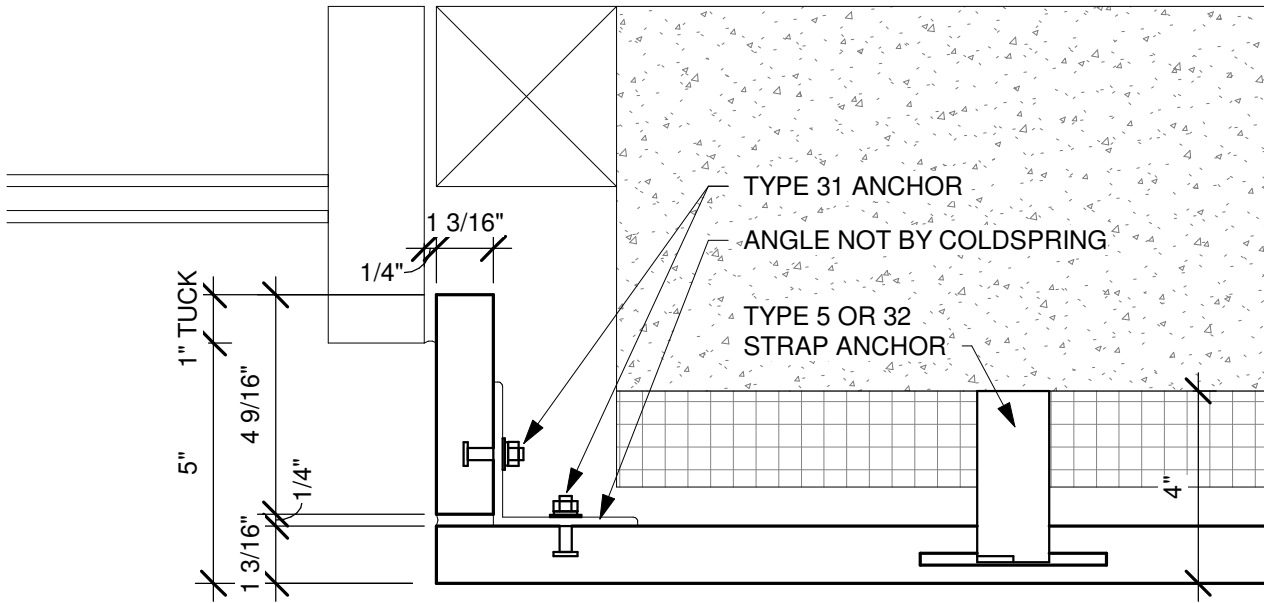
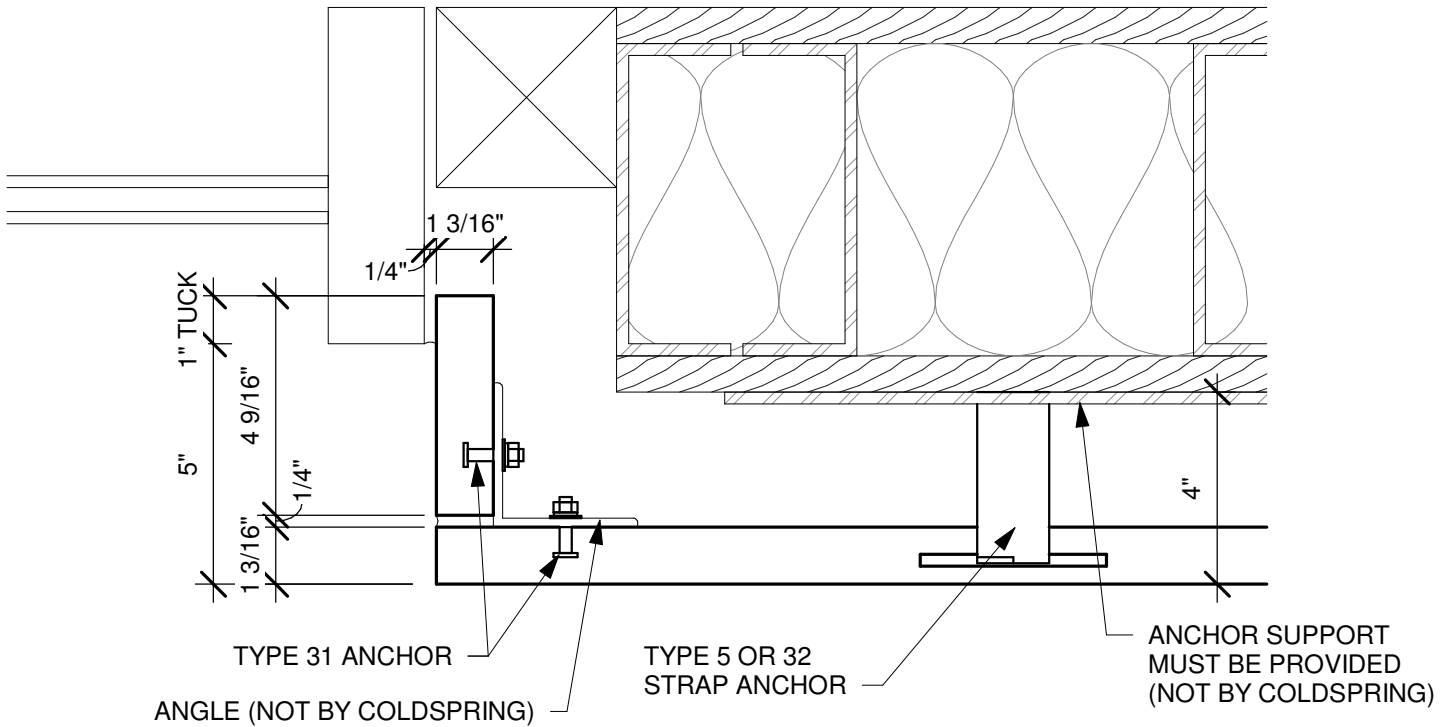


ANCHORING DETAILS ARE FOR REFERENCE ONLY. FINAL SPECIFICATIONS AND DETAILS SHOULD BE APPROVED BY A LICENSED ENGINEER.



5C WINDOW PLAN DETAIL (@ CONG WALL)
SCALE: 3" = 1'-0"



5S WINDOW PLAN DETAIL (@STUD WALL)
SCALE: 3" = 1'-0"

PROJECT:
EXAMPLE DETAILS

DESCRIPTION:
EXAMPLE EXTERIOR WALL - (30mm)
WINDOW PLAN DETAIL

SHEET #:
1.5

JOB #:
0000000

DRAWN BY:
DM

DATE:
4/10/2024



COLDSRING™

17482 GRANITE WEST RD, COLD SPRING, MN
PHONE (320) 685-3621, FAX (320) 685-5052
WWW.COLDSRINGUSA.COM