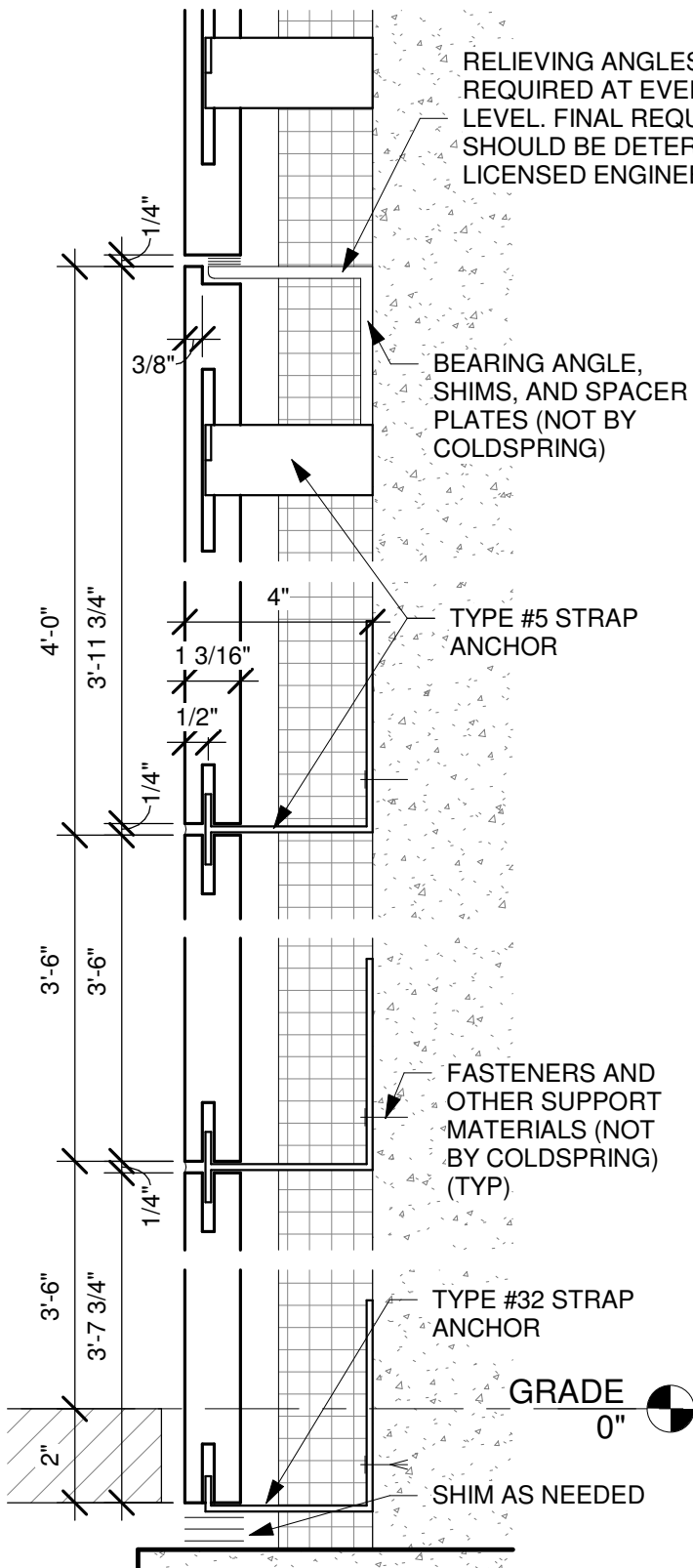
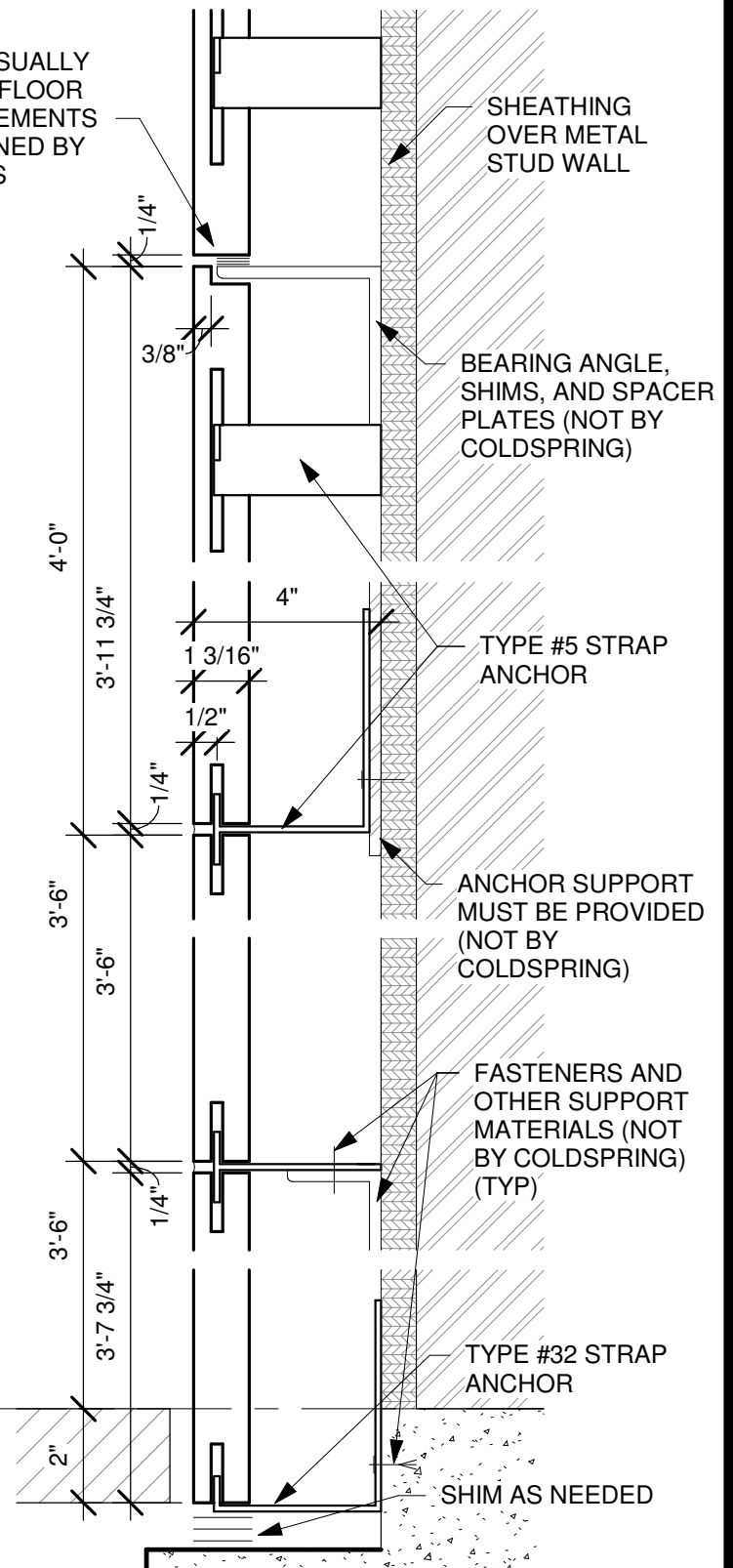


ANCHORING DETAILS ARE FOR REFERENCE ONLY. FINAL SPECIFICATIONS AND DETAILS SHOULD BE APPROVED BY A LICENSED ENGINEER.



1C WALL SECTION - 30mm / CONC WALL  
SCALE: 3" = 1'-0"



1S WALL SECTION - 30mm / STEEL WALL  
SCALE: 3" = 1'-0"

**PROJECT:**  
EXAMPLE DETAILS


**DESCRIPTION:**  
EXAMPLE EXTERIOR WALL - (30mm)  
WALL SECTION

**SHEET #:**  
1.1

**JOB #:**  
0000000

**DRAWN BY:**  
DM

**DATE:**  
4/10/2024



**COLDSPRING™**  
17482 GRANITE WEST RD, COLD SPRING, MN  
PHONE (320) 685-3621, FAX (320) 685-5052  
WWW.COLDSPRINGUSA.COM